

Transformations: Reflections and Rotations

by – Lynne B. Uebelhoer

Activity overview

This activity is designed to be used in a middle-school or high-school geometry classroom. An understanding of labeling points in the coordinate plane is necessary.

Concepts

This is an exploration of the specific transformations: reflections and rotations.

Teacher preparation

*A review of the coordinate plane, quadrants, and labeling points is helpful for labeling the points as well as describing the transformations. To encourage student to describe the transformations observed concrete examples should be introduced. Using a chair with wheels, push the chair away. Ask the students to describe the change which occurred. Ask students what occurs when they look in the mirror each morning. Encourage students to develop descriptions using such terms as **flip**, **turn**, and **slide**.*

Classroom management tips

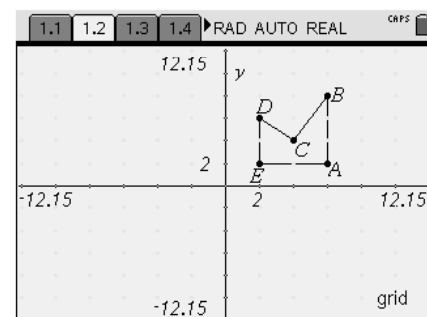
This activity is student-centered with the teacher role as that of facilitator. Small groups will encourage discussion regarding observations.

TI-Nspire Applications

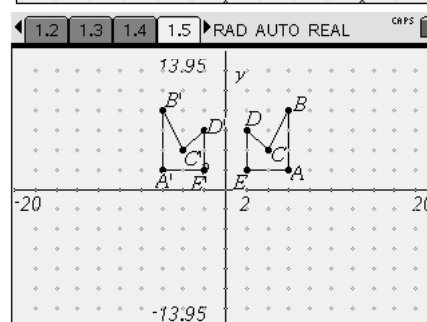
TI-Nspire, Graphs & Geometry, Notes

Have students open the program file and read page 1.1

Students are directed to draw a polygon on the grid provided on page 1.2. A possible choice is provided here as an example. Once the polygon is drawn the students are asked to label the vertices and record both the label and coordinates on their worksheet.

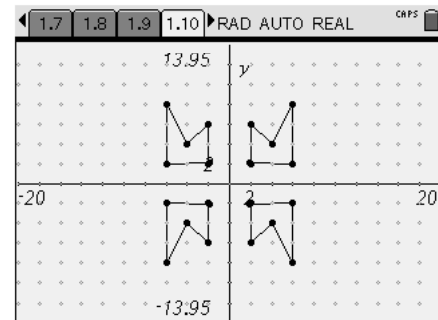


On page 1.4 directions are given for the first transformation. A possible choice is provided here as an example. Once the polygon is drawn the students are asked to label the vertices and record both the label and coordinates on their worksheet.

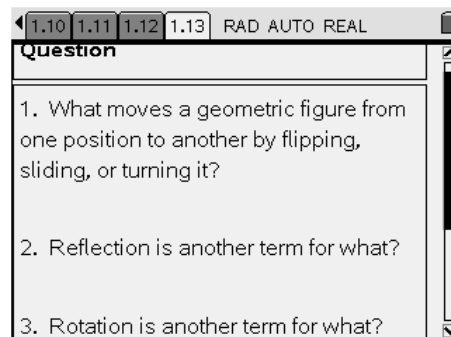


Page 1.6 provides students an opportunity to reflect on their observations.

Page 1.7 and 1.9 instruct the student to continue reflecting throughout the coordinate plane. With a final stop in Quadrant IV.



Page 1.13 Guides student's towards a understanding of terminology presented within the activity.



The figure shows a TI-Nspire Question screen with three questions:

1. What moves a geometric figure from one position to another by flipping, sliding, or turning it?
2. Reflection is another term for what?
3. Rotation is another term for what?

Assessment and evaluation

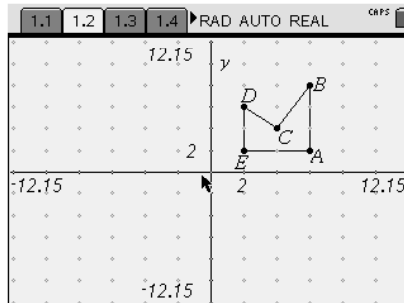
- The handout may be collected and evaluated to determine the understanding of concepts presented in this activity.

Activity extension

- A discussion exploring the relationship between a series of reflections and rotation can illustrate the relationship between these two transformations.

1.1 1.2 1.3 1.4 RAD AUTO REAL CAPS

This is an activity to introduce the UNIT on TRANSFORMATIONS. Refer to the instructions on your student sheet in order to have your hand-held ready for the activity as well as the questions which follow.



1.1 1.2 1.3 1.4 RAD AUTO REAL CAPS

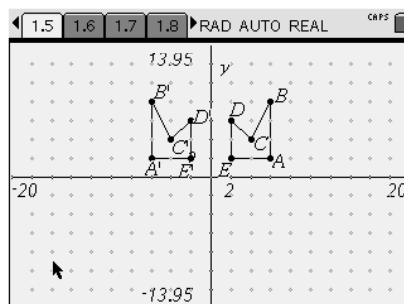
Record the vertices of your polygon on your activity sheet.

1.1 1.2 1.3 1.4 RAD AUTO REAL CAPS

Once you have drawn your polygon, you are now ready to start the reflections.

The first transformation will be across the y -axis.

- 1) From the menu scroll to TRANSFORMATIONS. Arrow over and down to #2 REFLECTION.
- 2) Using the arrow highlight the polygon, it will blink. Then move the arrow to the



1.3 1.4 1.5 1.6 RAD AUTO REAL CAPS

Question

After completing the reflection, describe the new position of the polygon.

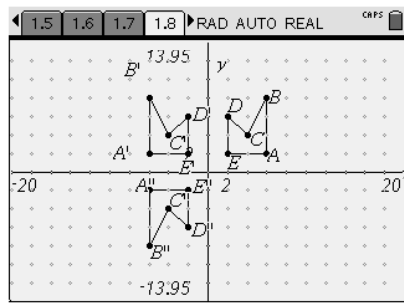
Check the coordinates of the corresponding points. What has

Answer

1.4 1.5 1.6 1.7 RAD AUTO REAL CAPS

Once the first transformation is completed the process will be repeated to move the polygon across the y -axis.

- 1) From the menu scroll to TRANSFORMATIONS. Arrow over and down to #2 REFLECTION.
- 2) Using the arrow highlight the polygon in the second quadrant, it will blink. Then

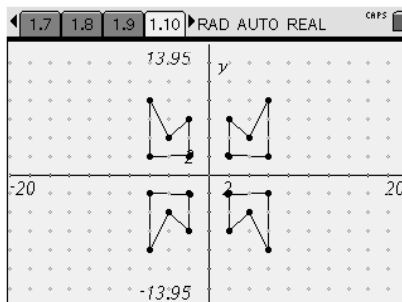


1.6 1.7 1.8 1.9 RAD AUTO REAL CAPS

Once again you will need to move your polygon across the y -axis.

From the menu scroll to TRANSFORMATIONS. Arrow over and down to #2 REFLECTION.

- 2) Using the arrow highlight the polygon in the third quadrant, it will blink. Then move the arrow to the y -axis. Hit the



1.8 1.9 1.10 1.11 RAD AUTO REAL CAPS

Question

In which quadrant is your polygon?

Record the new coordinates of the vertices on your worksheet. Record your observations of the changes in

Answer

1.9 1.10 1.11 1.12 RAD AUTO REAL CAPS

Question

Once completing all transformations, transfer each figure to the coordinate plane on your worksheet. Follow the illustrations in the previous graphs to finish the figures.

Answer



Transformations: Reflections and Rotations

by: Lynne B. Uebelhoer
Grade level: secondary
Subject: Geometry
Time required: 30 minutes

Materials: TI-Nspire

In this activity through a series of transformations you will:

- Find the outcome of reflections across the x- and y- axis.
- Determine how a rotation may occur through reflections

Open the file **Transformations: Reflections and Rotations**. On page #2 you will find a coordinate grid. Under shapes choose polygon. Draw a polygon with at least three vertices. Label each of the vertices and give the coordinates. Space is provided for up to 6 vertices.

Record the vertices as well as the label:

_____: (_____, _____) _____: (_____, _____) _____: (_____, _____)
 _____: (_____, _____) _____: (_____, _____) _____: (_____, _____)

A) Follow the directions within the program for moving your polygon across the y-axis. In which quadrant is the transformed polygon? _____ Describe this transformation. _____

Once the transformation has been completed, record the new vertices. When labeling the new vertices use the same letters for the corresponding points adding a “ ‘ ” to each label.(i.e. A becomes A')

_____: (_____, _____) _____: (_____, _____) _____: (_____, _____)
 _____: (_____, _____) _____: (_____, _____) _____: (_____, _____)

What happened to the corresponding x- and y- coordinates? _____

B) Follow the directions within the program for moving your polygon across the x-axis. In which quadrant is the transformed polygon? _____ Describe this transformation. _____



Transformations: Reflections and Rotations

by: Lynne B. Uebelhoer
 Grade level: secondary
 Subject: Geometry
 Time required: 30 minutes

Materials: TI-Nspire

Once the transformation has been completed, record the new vertices. When labeling the new vertices use the same letters for the corresponding points adding a “ ‘ “ to each label.(i.e. A’ becomes A’’)

_____ : (_____, _____) _____ : (_____, _____) _____ : (_____, _____)
 _____ : (_____, _____) _____ : (_____, _____) _____ : (_____, _____)

What happened to the corresponding x- and y- coordinates? _____

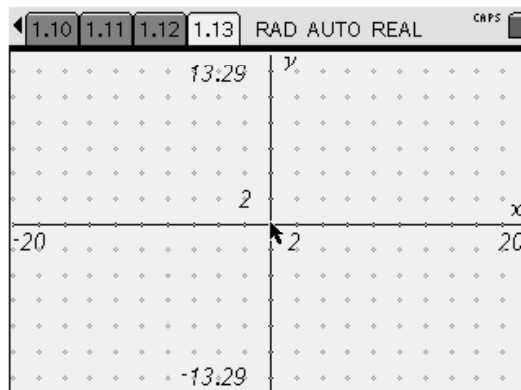
C) Follow the directions within the program for moving your polygon across the y-axis. In which quadrant is the transformed polygon? _____ Describe this transformation. _____

Once the transformation has been completed, record the new vertices. When labeling the new vertices use the same letters for the corresponding points adding a “ ‘ “ to each label.(i.e. A’ becomes A’’)

_____ : (_____, _____) _____ : (_____, _____) _____ : (_____, _____)
 _____ : (_____, _____) _____ : (_____, _____) _____ : (_____, _____)

What happened to the corresponding x- and y- coordinates? _____

D) What would occur if you were to complete one more transformation of your polygon? _____



E)



Transformations: Reflections and Rotations

by: Lynne B. Uebelhoer
Grade level: secondary
Subject: Geometry
Time required: 30 minutes

Materials: TI-Nspire

F) Finally, look at the diagram on page #13 of your program. Identify each of the following:

- a. Name the longest chord: _____
- b. Name the tangents: _____ and _____
- c. Name the secant: _____
- d. Is CD a secant? _____
Why or why not? _____

- e. Is ED a chord? _____
Why or why not? _____
